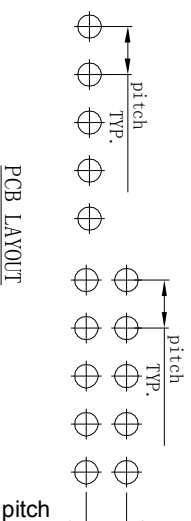
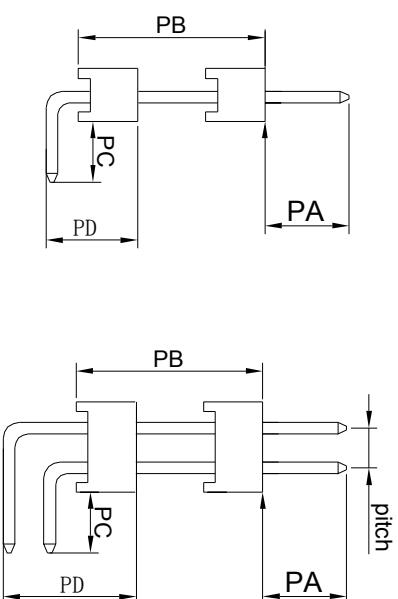


方针 Size: PH1. 0=0.3*0.3mm
 PH1. 27=0.4*0.4mm
 PH2. 0=0.5*0.5mm
 PH2. 54=0.64*0.64mm

SPECIFICATIONS
 Current Rating: 3amps
 Insulator resistance: 5000 Megohms min.
 Dielectric Withstanding: AC 500V
 Operating Temperature: -40°C TO +105°C
 Insulator Material: PBT
 Contact Material: Brass
 Plating: Gold flash

UNSPECIFIED TOLERANCE: ± 0.20



KAPON TECHNOLOGY CO.,LTD

PIN Header Pitch 1.0/1.27/2.0/2.54 单双排双塑90度 NP

Customer	Approval:	Unit Scale	Date		P/N0:
Drawing No:张建军	Check:	mm	13. 10. 16		Pin Longger: