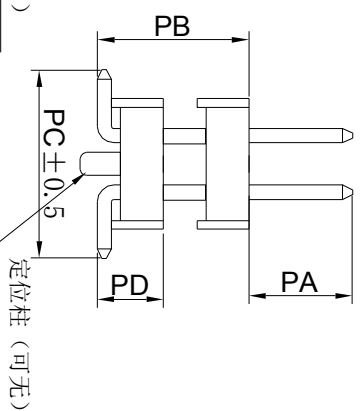
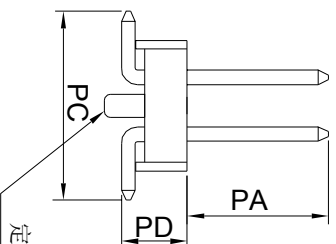
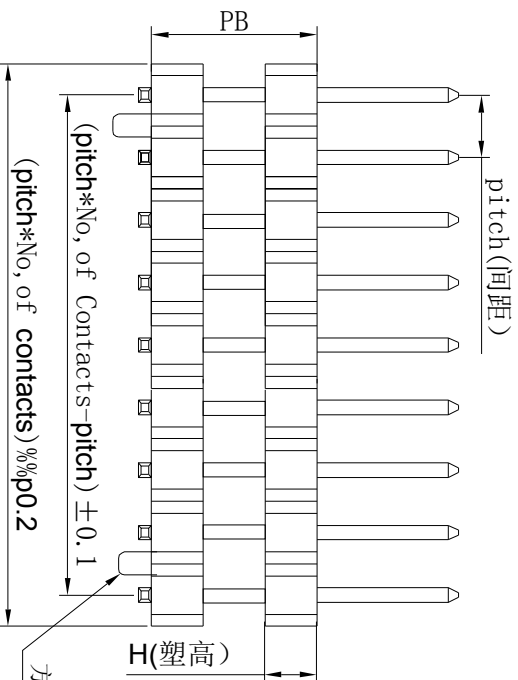


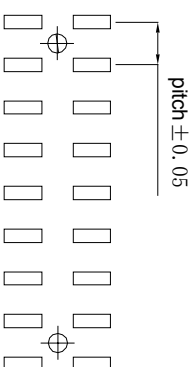
SPECIFICATIONS

Current Rating: 2Amps
 Insulator resistance: 5000 Megohms min.
 Dielectric Withstanding: AC 500V
 Operating Temperature: -40° TO +105°C
 Max Processing Temp: 230° TO 260° for 30-60 seconds
 Contact Material: Brass
 Plating: Gold Flash
 Insulator Material: PA6T

UNSPECIFIED TOLERANCE: ±0.20



方针 Size: PH1. 0=0.3*0.3mm
 PH1. 27=0.4*0.4mm
 PH2. 0=0.5*0.5mm
 PH2. 54=0.64*0.64mm



KAPON TECHNOLOGY CO., LTD.

PIN Header pitch1.0/1.27/2.0/2.54 双排SMD单双塑 NP				P/NO:
Customer:	Approval:	Unit Scale	Date	Pin Longer:
Drawing No: 张建军	Check:	mm	11. 8. 16	Signatuer: