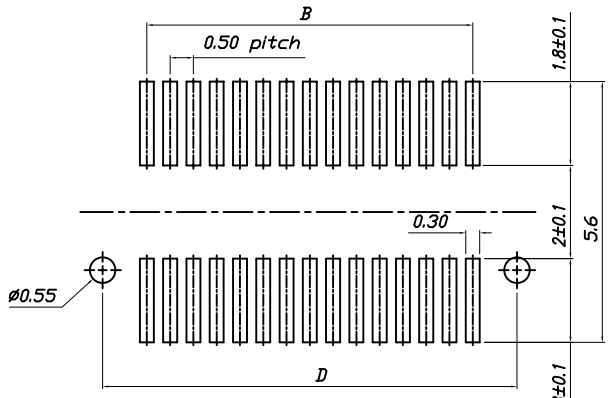
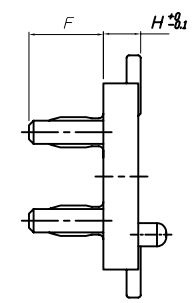
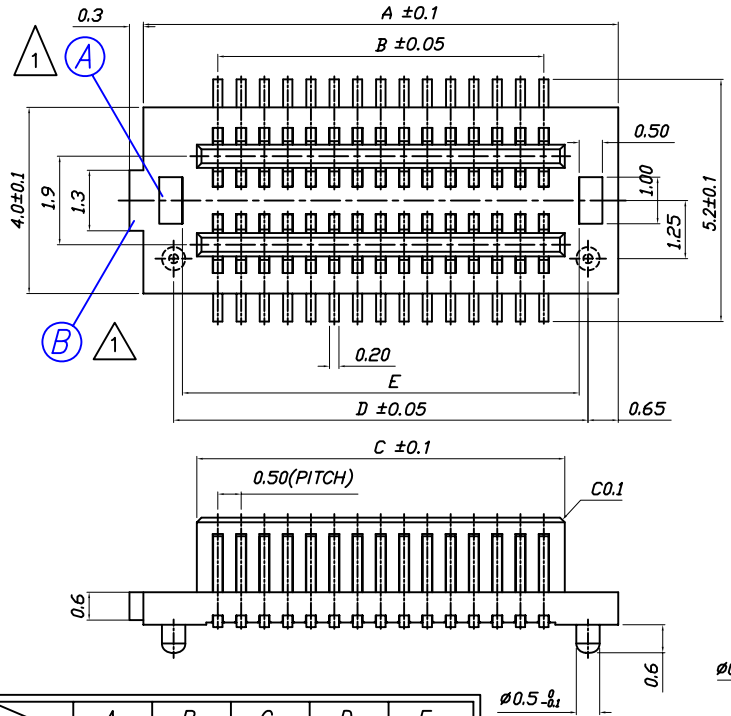


NO	변경 사항	수정 내용	비고	수정 일시	승인	일시
①	2개소 형상 변경	변경점 통보서에 의거		2012.05.08	C.W.D	2012.05.08
②						
③						

HIGH	PLUG	SOCKET	F
3.0	0.8	2.2	1.6
3.5	1.3	2.2	1.6
4.0	1.0	3.0	1.9
4.5	1.0	3.5	1.9
5.0	1.0	4.0	1.9
5.5	1.0	4.5	1.9
6.0	2.0	4.0	1.9
6.5	2.0	4.5	1.9



	A	B	C	D	E
08P	4.70	1.50	2.40	3.40	3.02
10P	5.20	2.00	2.90	3.90	3.52
12P	5.70	2.50	3.40	4.40	4.02
14P	6.20	3.00	3.90	4.90	4.52
16P	6.70	3.50	4.40	5.40	5.02
18P	7.20	4.00	4.90	5.90	5.52
20P	7.70	4.50	5.40	6.40	6.02
22P	8.20	5.00	5.90	6.90	6.52
24P	8.70	5.50	6.40	7.40	7.02
26P	9.20	6.00	6.90	7.90	7.52
28P	9.70	6.50	7.40	8.40	8.02
30P	10.20	7.00	7.90	8.90	8.52
32P	10.70	7.50	8.40	9.40	9.02
34P	11.20	8.00	8.90	9.90	9.52

	A	B	C	D	E
36P	11.70	8.50	9.40	10.40	10.02
38P	12.20	9.00	9.90	10.90	10.52
40P	12.70	9.50	10.40	11.40	11.02
42P	13.20	10.00	10.90	11.90	11.52
44P	13.70	10.50	11.40	12.40	12.02
46P	14.20	11.00	11.90	12.90	12.52
48P	14.70	11.50	12.40	13.40	13.02
50P	15.20	12.00	12.90	13.90	13.52
60P	17.70	14.50	15.50	16.40	16.02
70P	20.20	17.00	18.00	18.90	18.52
80P	22.70	19.50	20.50	21.40	21.02
90P	25.20	22.00	23.00	23.90	23.52
100P	27.70	24.50	25.50	26.40	26.02

KAPON KAPON TECHNOLOGY CO., LTD

Min:0.03<sub>μm</sub> Gold plating over Min:1.2<sub>μm</sub> Nickel

DRAWG NO	PART NAME	MATERIAL	QUANTITY	SPECIFICATION	TREATMENT	REFERENCE
	PLUG	PA 6T		C5210R-SH : NO.2(phosphor bronze)		
		THROUGH HOLE PROJECTION	UNIT mm	SCALE 1/5	TOLERANCE X.XX±0.05	WK NAME NO.5mm PLUG-LK
		APPROVAL	CHECK	DESIGN	DRAW	PART NAME 0.5mm BOARD TO BOARD
						DRAWG NO.
MARK	DATE	REVISION	SIGN			