

1. Specification:

- 1.1 Current rating:0.3A AC/DC
- 1.2 Voltage rating:50V AC/DC
- 1.3 Contact resistance:60m milliohms max
- 1.4 Insulation resistance:100 Mega ohms min
- 1.5 Withstanding voltage:500V AC/minute
- 1.6 Temperature range:-25°C to +80°C
- 2. Material and Plating
- 2.1 Insulator:PA9T. Plastic(Ul94V-0)
- 2.2 Contact: Phosphor Bronze
- 2.3 Finish: Gold Plated

Mating Height:5.0mm

Pin	Dim A	Dim B	Dim C
2x5	2.00	3.98	3.20
2x6	2.50	4.48	3.70
2x7	3.00	4.98	4.20
2x8	3.50	5.48	4.70
2x9	4.00	5.98	5.20
2x10	4.50	6.48	5.70
2x11	5.00	6.98	6.20
2x12	5.50	7.48	6.70
2x13	6.00	7.98	7.20
2x14	6.50	8.48	7.70
2x15	7.00	8.98	8.20
2x16	7.50	9.48	8.70
2x17	8.00	9.98	9.20
2x18	8.50	10.48	9.70
2x19	9.00	10.98	10.20
2x20	9.50	11.48	10.70

DRAWING:

杨朝阳

CHECKED:

杨朝阳

APPROVAL:

GENERAL TOLERANCE

.X:±0.2  
.XX:±0.08  
.XXX:±0.03

UNIT: MM

SCALE: 1/1

SHEET: 1/1

KAPON SHENZHEN KAPON TECHNOLOGY CO.,LTD

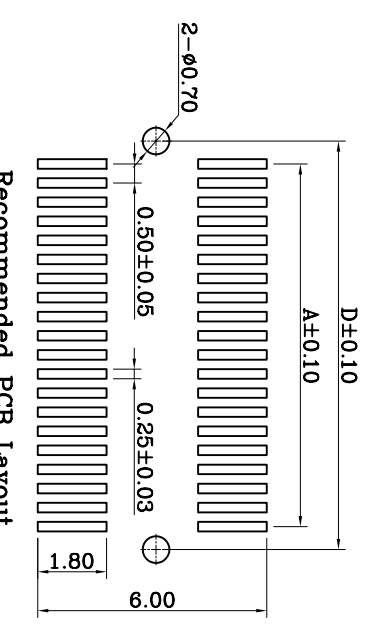
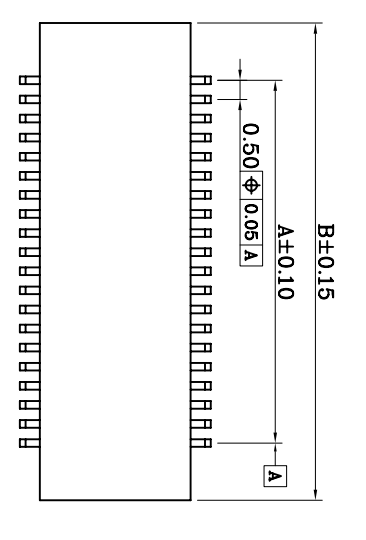
DESCRIPTION:  
0.5mm Board to Board Plug

PART NO: 101MXXU-A1Q2-A2SV1B

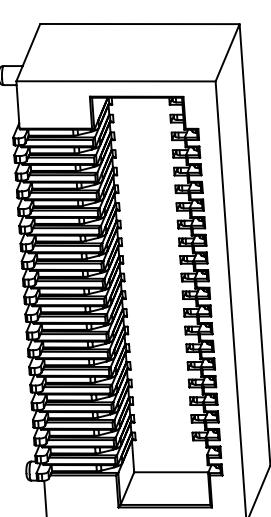
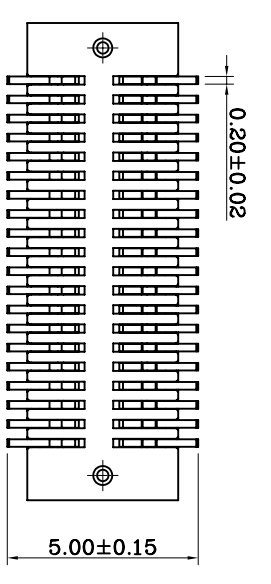
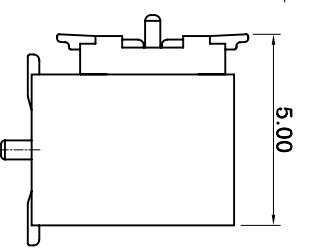
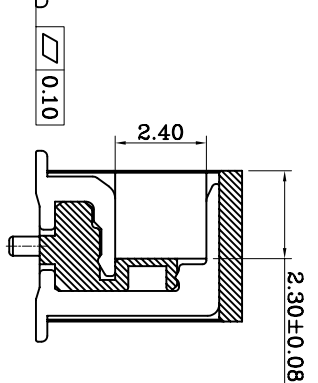
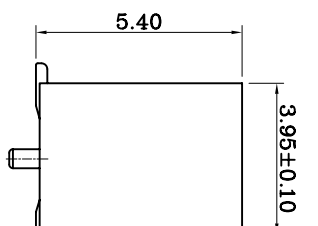
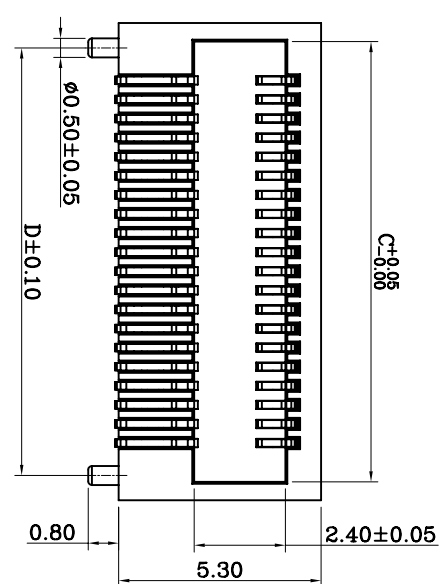
DRAWING NO: P1101MXXU-A2SV1B-01

REV: 1.0  
SIZE: A4

NO.	DATE	DESCRIPTION	APPROVAL
1			
2			
3			
4			
5			



1. Specification:
  - 1.1 Current rating: 0.3A AC/DC
  - 1.2 Voltage rating: 50V AC/DC
  - 1.3 Contact resistance: 60m milliohms max
  - 1.4 Insulation resistance: 100 Mega ohms min
  - 1.5 Withstanding voltage: 500V AC/minute
  - 1.6 Temperature range: -25°C to +80°C
2. Material and Plating
  - 2.1 Insulator: PA9T, Plastic (UL94V-0)
  - 2.2 Contact: Brass
  - 2.3 Finish: Gold Plated



Pin	Dim	A	B	Dim	C	Dim	D
2x5	2.00	5.00	4.03	3.70			
2x6	2.50	5.50	4.53	4.20			
2x7	3.00	6.00	5.03	4.70			
2x8	3.50	6.50	5.53	5.20			
2x9	4.00	7.00	6.03	5.70			
2x10	4.50	7.50	6.53	6.20			
2x11	5.00	8.00	7.03	6.70			
2x12	5.50	8.50	7.53	7.20			
2x13	6.00	9.00	8.03	7.70			
2x14	6.50	9.50	8.53	8.20			
2x15	7.00	10.00	9.03	8.70			
2x16	7.50	10.50	9.53	9.20			
2x17	8.00	11.00	10.03	9.70			
2x18	8.50	11.50	10.53	10.20			
2x19	9.00	12.00	11.03	10.70			
2x20	9.50	12.50	11.53	11.20			

**KAPON SHENKAPON TECHNOLOGY CO.,LTD**

DESCRIPTION:  
0.5mm Board to Board Socket R/A Type

PART NO: 101FXXU-A1Q1-A1RW1B  
DRAWING NO: P1101FXXU-A1RW1B-01

5			
4			
3			
2			
1	DATE	DESCRIPTION	APPROVAL

DRAWING:		GENERAL TOLERANCE	
杨朝阳		.X: ±0.2 .XX: ±0.08 .XXX: ±0.03	
CHECKED:		.X°: ±2° .XX°: ±1° .XXX°: ±0.5°	
杨朝阳			
APPROVAL:		UNIT: MM	PROJECTION:
		SCALE: 1/1	
		SHEET: 1/1	

1	2	3	4	5	6	7	8
---	---	---	---	---	---	---	---